

Features

- Low THD, 10% Max up to 240 Vac
- High Efficiency (Up to 90.5%)
- Input Surge Protection: DM 4kV, CM 6kV
- High Reliability & Long Lifetime: 101,000 Hrs. at 75°C Case Temperature
- Suitable for Independent Use and Class I Luminaires
- IUVP & IOVP
- IP67
- 5 Years Warranty



Description

The EDC-075S105SV-000x is a 75W, constant-current, IP67 LED driver that operates from 140-305 Vac input with excellent power factor. It is created for many lighting applications including high bay, tunnel and street lights. The high efficiency of these drivers and compact metal case enable them to run cooler, significantly improving reliability and extending product life. To ensure trouble-free operation, protection is provided against input surge, input under voltage, input over voltage, output over voltage, short circuit, and over temperature.

Models

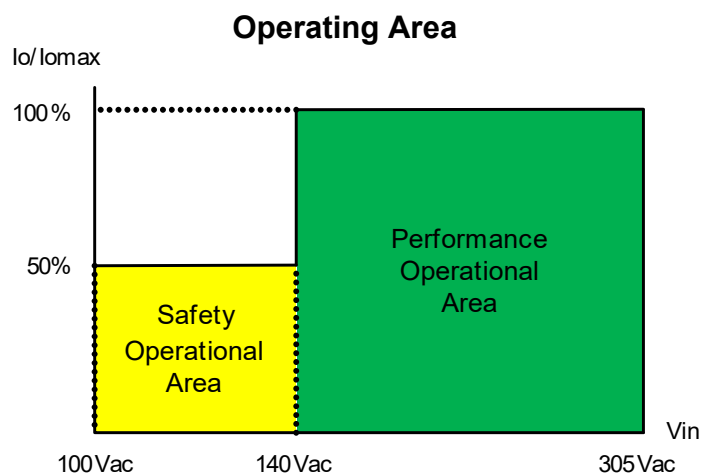
Output Current Range	Input Voltage Range(1)(2)	Output Voltage Range	Max. Output Power	Typical Efficiency (3)	Typical Power Factor (3)	Model Number
700 mA	140 ~ 305 Vac	54 ~ 107 Vdc	75 W	90.5%	0.96	EDC-075S105SV-0007
860 mA	140 ~ 305 Vac	44 ~ 88 Vdc	75 W	90.5%	0.96	EDC-075S105SV-0004
1050 mA	140 ~ 305 Vac	36 ~ 71 Vdc	75 W	90.0%	0.96	EDC-075S105SV

Notes: (1) Certified input voltage range: 220-240Vac.

(2) Operating input voltage range: 100-305Vac, and 100-140Vac is for safety operation.

(3) Measured at 100% load and 220Vac input.

(4) For BIS models add suffix -3000.



Input Specifications

Parameter	Min.	Typ.	Max.	Notes
Input Voltage	140 Vac	-	305 Vac	
Input Frequency	47 Hz	-	63 Hz	
Leakage Current	-	-	0.70 mA	IEC60598-1; 240Vac/60Hz
Input AC Current	-	-	0.42 A	Measured at 100% load and 220 Vac input.
Inrush Current(I ² t)	-	-	0.008 A ² s	At 220Vac input, 25°C cold start, duration=26.4 us, 10%Ipk-10%Ipk. See Inrush Current Waveform for the details.
PF	0.90	-	-	At 200-277Vac, 50-60Hz, 75%-100%load (56.25~75W)
THD	-	-	20%	
THD	-	-	10%	At 220-240Vac, 50-60Hz, 75%-100%load (56.25~75W)

Output Specifications

Parameter	Min.	Typ.	Max.	Notes
Output Current Tolerance	-8%lo	-	8%lo	At 100% load condition.
Startup Overshoot Current	-	-	10%lomax	At 100% load condition
No Load Output Voltage	-	-	150V	
EDC-075S105SV-0007	-	-	150V	
EDC-075S105SV-0004 EDC-075S105SV	-	-	100V	
Line Regulation	-	-	±5.0%	Measured at 100% load
Load Regulation	-	-	±5.0%	
Turn-on Delay Time	-	-	0.5 s	Measured at 220Vac input, 75%-100%load
Temperature Coefficient of lomax	-	0.06%/°C	-	Case temperature = 0°C~Tc max

Note: All specifications are tested by Cree XLamp XP-G2 unless otherwise stated.

General Specifications

Parameter	Min.	Typ.	Max.	Notes
Efficiency at 220 Vac input:				Measured at 100% load and steady-state temperature in 25°C ambient; (Efficiency will be about 2.0% lower if measured immediately after startup.)
EDC-075S105SV-0007	88.5%	90.5%	-	
EDC-075S105SV-0004 EDC-075S105SV	88.5% 88.0%	90.5% 90.0%	- -	
MTBF	-	806,000 Hours	-	Measured at 220Vac input, 80%Load and 25°C ambient temperature (MIL-HDBK-217F)
Lifetime	-	101,000 Hours	-	Measured at 220Vac input, 80%Load and 75°C case temperature; See lifetime vs. Tc curve for the details

General Specifications (Continued)

Parameter	Min.	Typ.	Max.	Notes
Operating Case Temperature for Safety Tc_s	-40°C	-	+90°C	
Operating Case Temperature for Warranty Tc_w	-40°C	-	+75°C	Case temperature for 5 years warranty. Humidity: 10%RH to 95%RH
Storage Temperature	-40°C	-	+85°C	Humidity: 5%RH to 95%RH
Dimensions Inches (L x W x H) Millimeters (L x W x H)	4.49 x 2.52 x 1.26 114 x 64 x 32			With mounting ear 5.16 x 2.52 x 1.26 131 x 64 x 32
Net Weight	-	500 g	-	

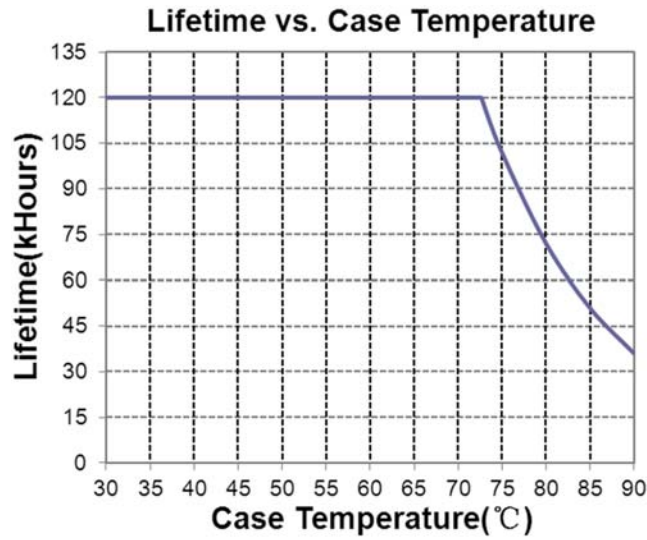
Note: All specifications are tested by Cree XLamp XP-G2 unless otherwise stated.

Safety & EMC Compliance

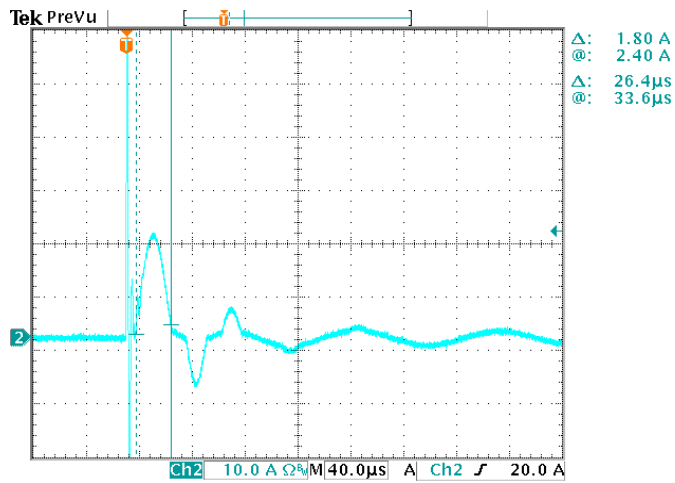
Safety Category	Standard
CE	EN 61347-1, EN 61347-2-13
CCC	GB 19510.1, GB 19510.14
KS	KS C 7655
BIS	IS 15885(PART2/SEC13)
EMI Standards	Notes
EN 55015/GB 17743 ⁽¹⁾	Conducted emission Test & Radiated emission Test
EN 61000-3-2/GB 17625.1	Harmonic current emissions
EN 61000-3-3	Voltage fluctuations & flicker
EMS Standards	Notes
EN 61000-4-2	Electrostatic Discharge (ESD): 8 kV air discharge, 4 kV contact discharge
EN 61000-4-3	Radio-Frequency Electromagnetic Field Susceptibility Test-RS
EN 61000-4-4	Electrical Fast Transient / Burst-EFT
EN 61000-4-5	Surge Immunity Test: AC Power Line: Differential Mode 4 kV, Common Mode 6 kV
EN 61000-4-6	Conducted Radio Frequency Disturbances Test-CS
EN 61000-4-8	Power Frequency Magnetic Field Test
EN 61000-4-11	Voltage Dips
EN 61547	Electromagnetic Immunity Requirements Applies To Lighting Equipment

Note: (1) This LED driver meets the EMI specifications above, but EMI performance of a luminaire that contains it depends also on the other devices connected to the driver and on the fixture itself.

Lifetime vs. Case Temperature

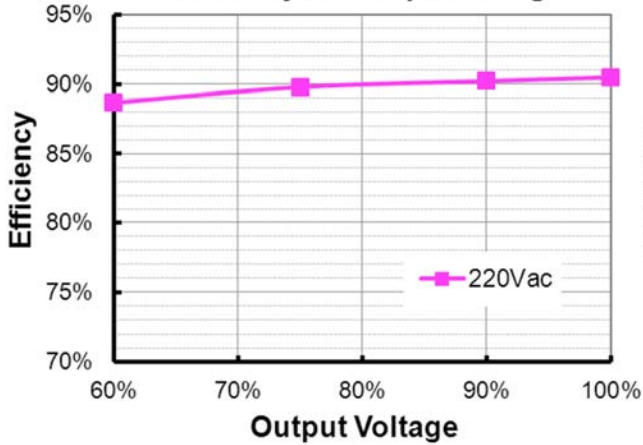


Inrush Current Waveform

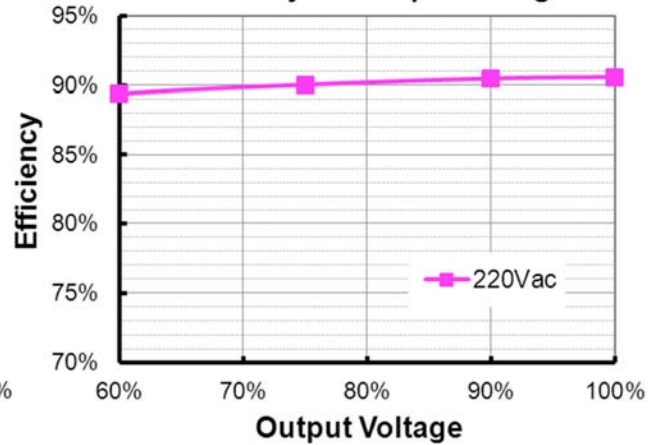


Efficiency vs. Load

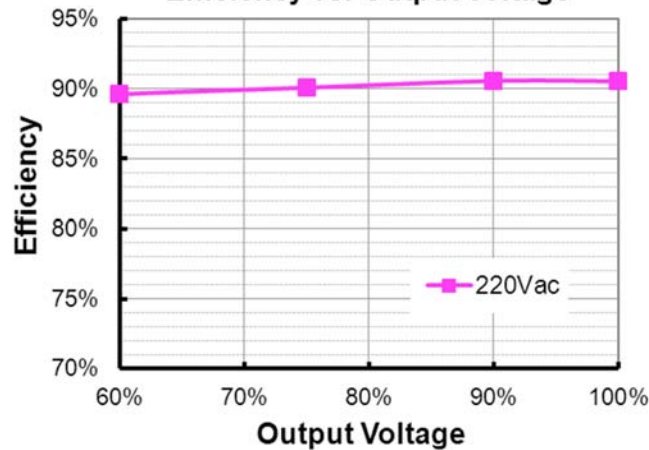
EDC-075S105SV($I_o=1050mA$)
Efficiency vs. Output Voltage



EDC-075S105SV-0004($I_o=860mA$)
Efficiency vs. Output Voltage

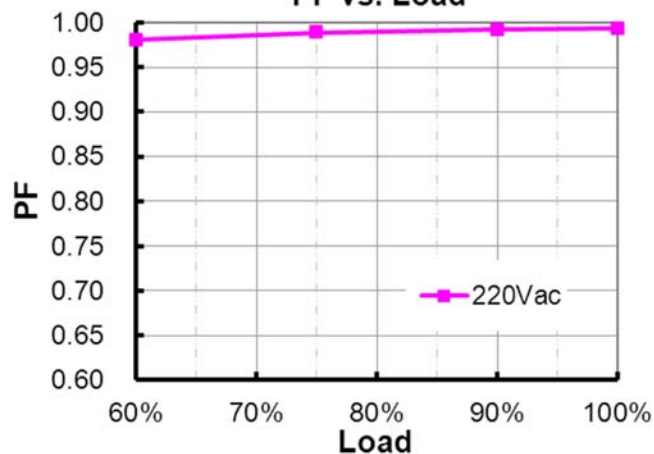


EDC-075S105SV-0007($I_o=700mA$)
Efficiency vs. Output Voltage

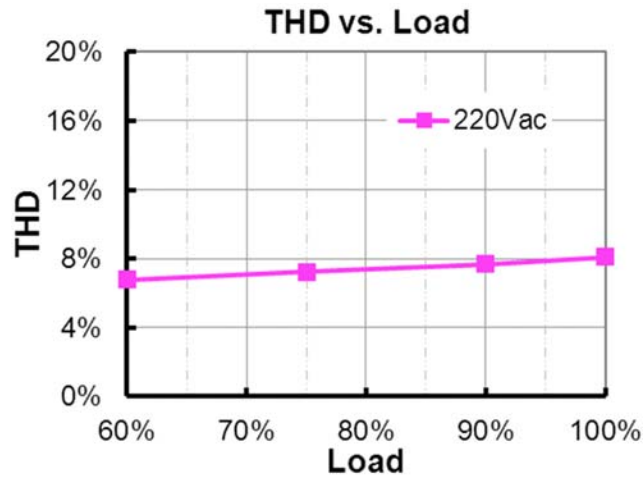


Power Factor

PF vs. Load



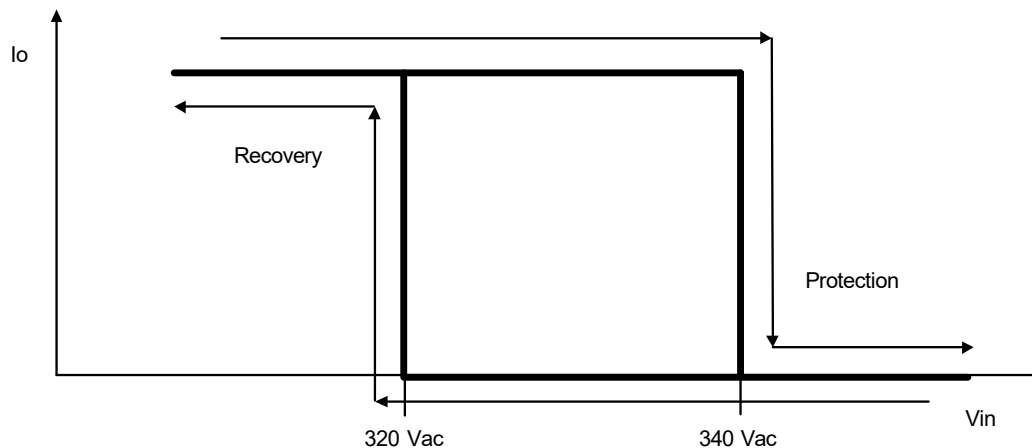
Total Harmonic Distortion



Protection Functions

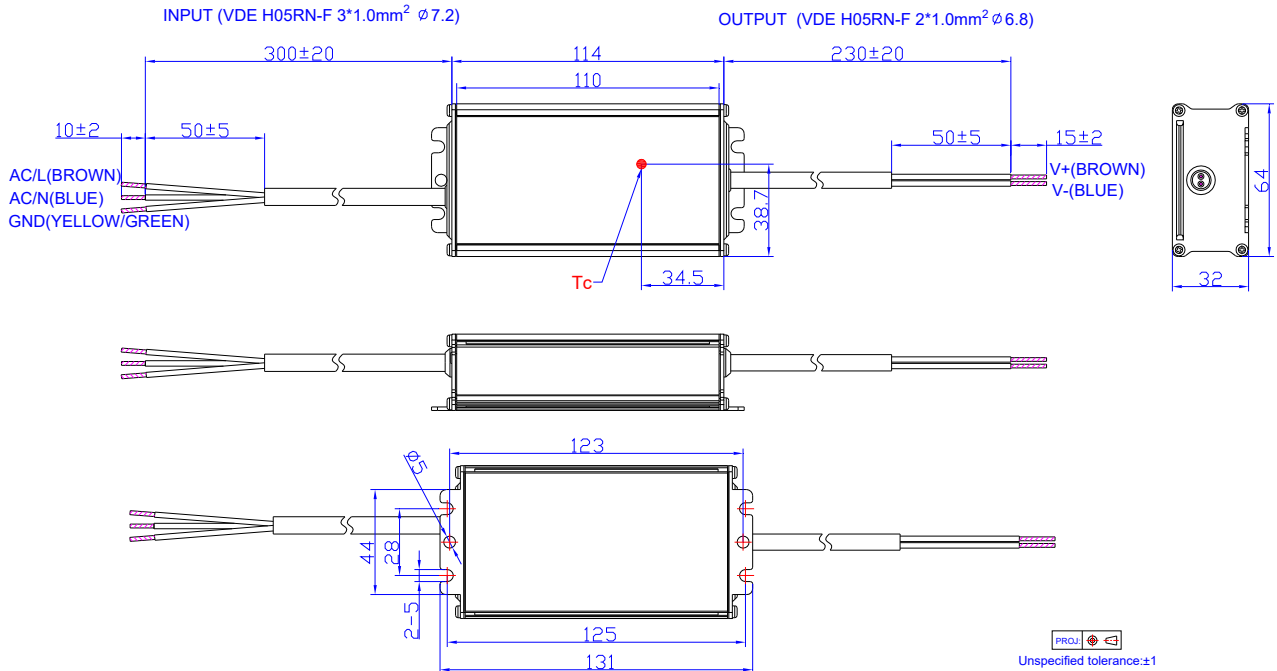
Parameter		Min.	Typ.	Max.	Notes
Over Voltage Protection		Limits output voltage at no load and in case the normal voltage limit fails.			
Short Circuit Protection		Auto Recovery. No damage will occur when any output is short circuited. The output shall return to normal when the fault condition is removed.			
Over Temperature Protection		Decreases output current, returning to normal after over temperature is removed.			
Input Under Voltage Protection		Auto Recovery. Shut down when the input voltage falls below 100V. And the driver will restart when the input voltage is in normal.			
Input Over Voltage Protection	Input Protection Voltage	320 Vac	340 Vac	360 Vac	Turn off the output when the input voltage exceeds protection voltage.
	Recovery Voltage	300 Vac	320 Vac	340 Vac	Auto Recovery. The driver will restart when the input voltage falls below recovery voltage.
	Max. of Input Over Voltage	-	-	440 Vac	The driver can survive for 48 hours with input over-voltage of 440Vac.

● Input Over Voltage Protection Diagram

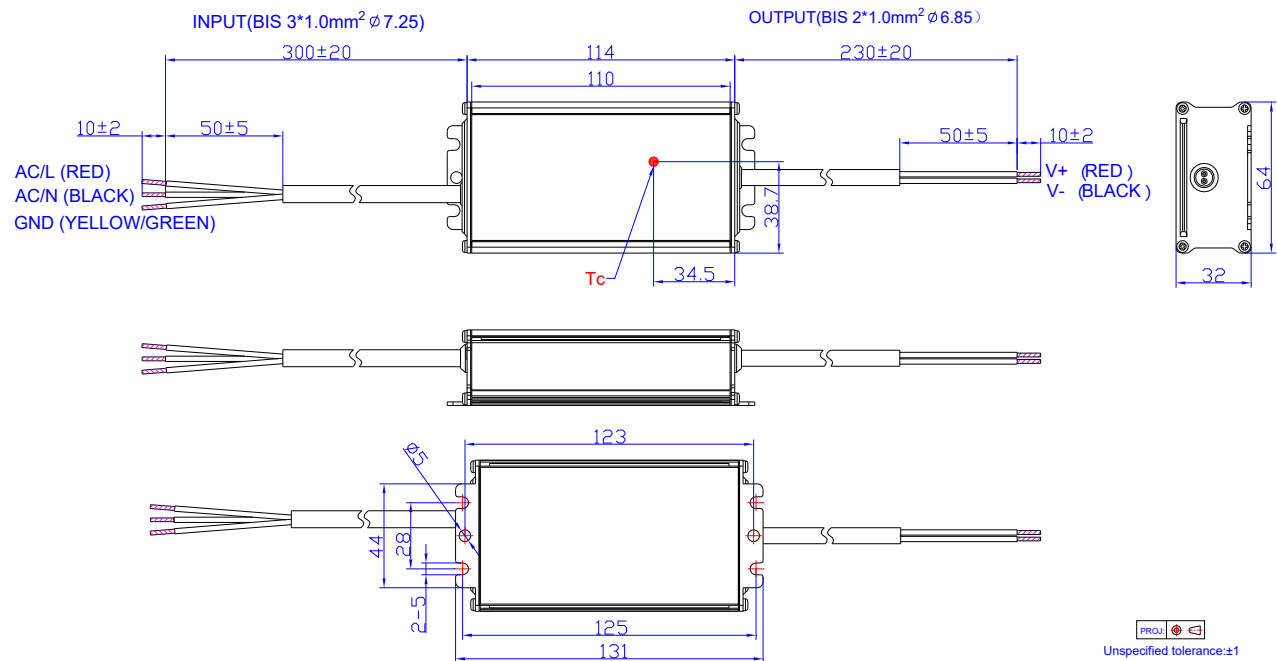


Mechanical Outline

EDC-075S105SV-000x



EDC-075S105SV-3000



RoHS Compliance

Our products comply with reference to RoHS Directive (EU) 2015/863 amending 2011/65/EU, calling for the elimination of lead and other hazardous substances from electronic products.

Revision History

Change Date	Rev.	Description of Change		
		Item	From	To
2017-05-26	A	Datasheet Released	/	/
2018-01-26	B	Notes of models	/	Updated
		Operating Area	/	Added
		No Load Output Voltage EDC-075S105SV-0007 EDC-075S105SV-0004	140V 140V	150V 150V
		Protection Functions – Input Under Voltage Protection	/	Updated
2021-12-13	C	Features	/	Updated
		Models	Notes(4)	Added
		Safety &EMC Compliance	EN 61000-4-5	Updated
		Mechanical Outline	EDC-075S105SV-000x	Updated
		Mechanical Outline	EDC-075S105SV-3000	Added
		RoHS Compliance	/	Updated