

Product Specification

Product class: COB Reflector

Item No.: DK8524-REF-K

Material: PC

Certification: RoHS


Set Up:Xuan Yang

Check:Xiaohui Liang

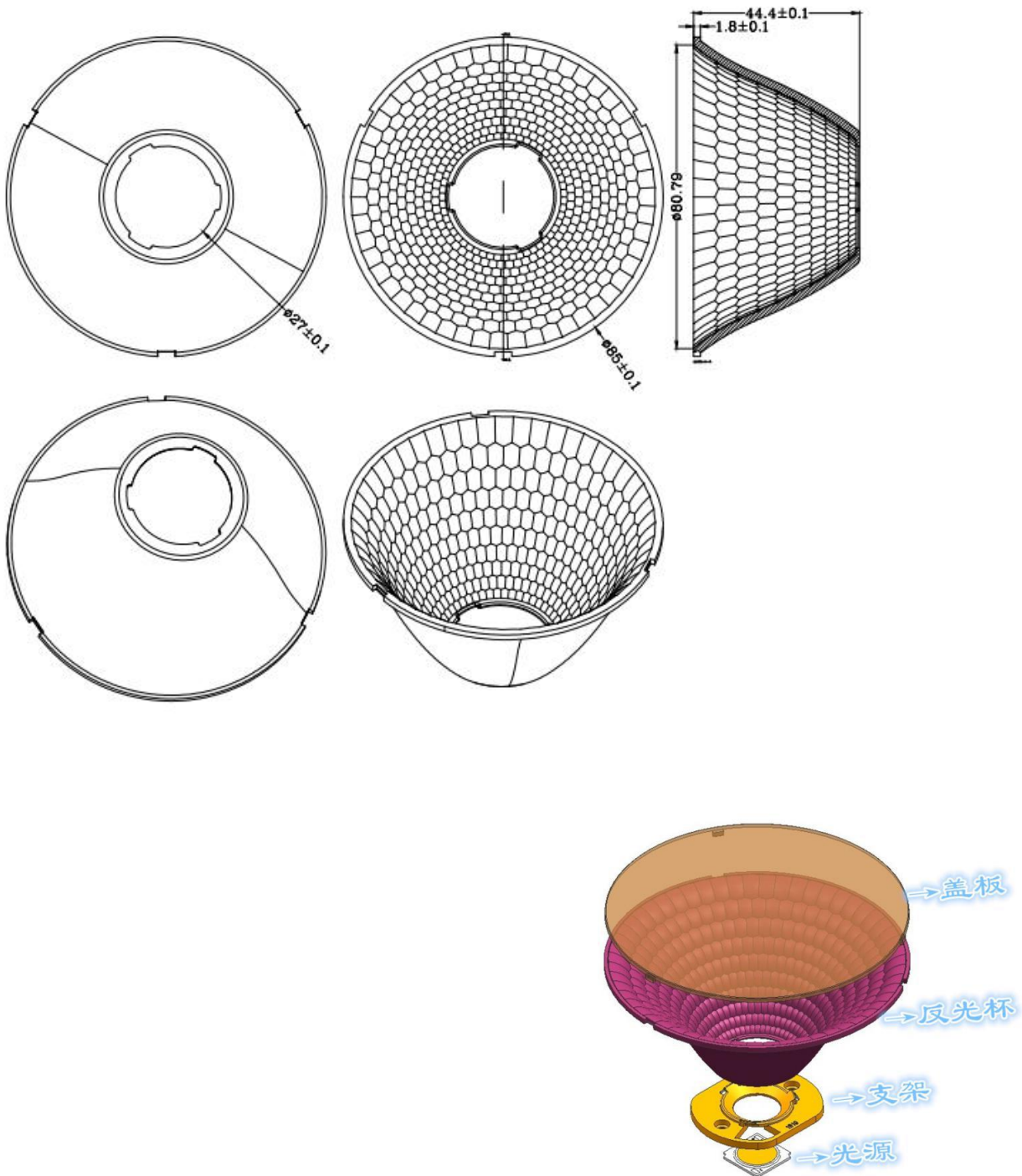
Content

Specification-----	3
2D Drawing-----	4
Optical Datasheet-----	5
Packing Details-----	6
Application Notes-----	7

Specification

Item No	Picture	Size	Matched COB	Lighting Application
DK8524-REF-K		Diameter: $\Phi 85\text{mm}$ Height: 44.4mm FWHM: 23°	CLL032	Downlight, Spotlight

Drawing



Optical test report

产品特征

灯具种类:	
灯具制造厂商: 达尔科光学	电压: 0.0 V
电流: 0.000 A	功率: 0.00 W
功率因数: 0.000	

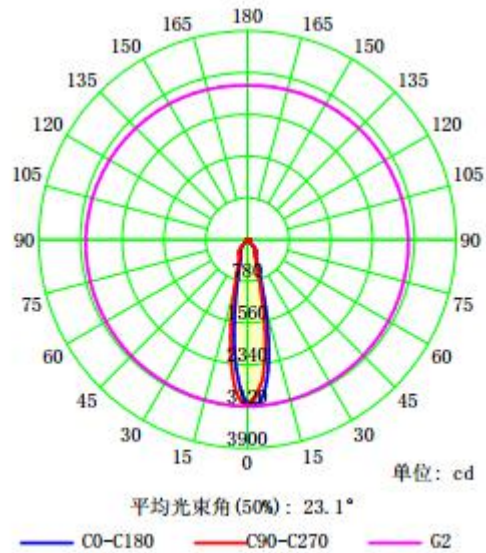
光度结果

灯具CIE分类: 直接型	额定光通量: 871.8 lm
灯具光通量: 871.8 lm	灯具效率: 100%
下射光通量比: 100%	上射光通量比: 0%
水平扩散角(10%, 25%, 50%, 75%): H54.6, H32.5, H23, H15.4	
垂直扩散角(10%, 25%, 50%, 75%): V59.7, V33.1, V23.3, V15.7	
灯具光效等级(LER): 872	中心光强: 3052.56 cd
峰值光强: 3118.34 cd	峰值光强位置: H0 V2

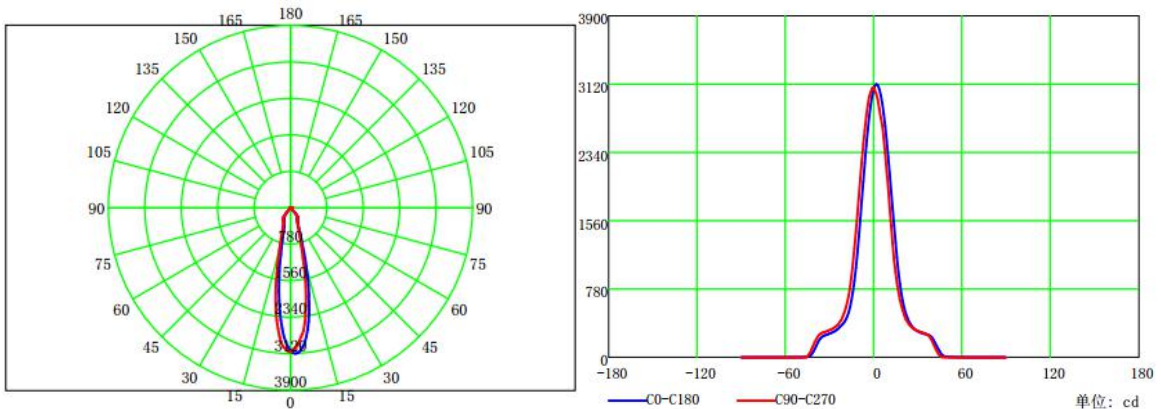
灯具实物照片



配光曲线



配光曲线



Packing Details

Packing Material	Packing Materil size	Packing Specification
Pearl wool	315*230mm	XXpcs/inner box 4 inner box / 1 outer box
White paperboard	A level; 400g; 310*235mm	
Inner box	335*245*105mm	
Outer box	A=B 510*330*255mm	

Application Notes

- (1) Please use a little water and soft fabric (air-laid paper) to clean the product if necessary.
- (2) Forbid to use industrial solvent to clean the product, such as alcohol.
- (3) The working temperature is $-40^{\circ}\text{C}\sim+80^{\circ}\text{C}$ (PMMA) or $-35^{\circ}\text{C}\sim+120^{\circ}\text{C}$ (PC).
- (4) Storage environment temperature is $0^{\circ}\text{C}\sim40^{\circ}\text{C}$, humidity is 30%~95%.
- (5) The product has the function to change the ray of light, it is made of optical material, the effect shall be influenced once pollute. Please do not open the packing before use it, to avoid the dust pollution.
- (6) Protect the product from the sun and other ultraviolet ray, as these will lead to aging, change color, crack, etc.
- (7) Please wear gloves once install the product, avoid to abrasion the product surface.
- (8) Forbid to use acidic or alkaline solution touch the product, avoid to generate the chemical reactions.