

# Product Specification

Product Class: LED LENS

Item No:**DK-5050-30-LENS-12H1**

Material: PMMA

Certification: RoHS

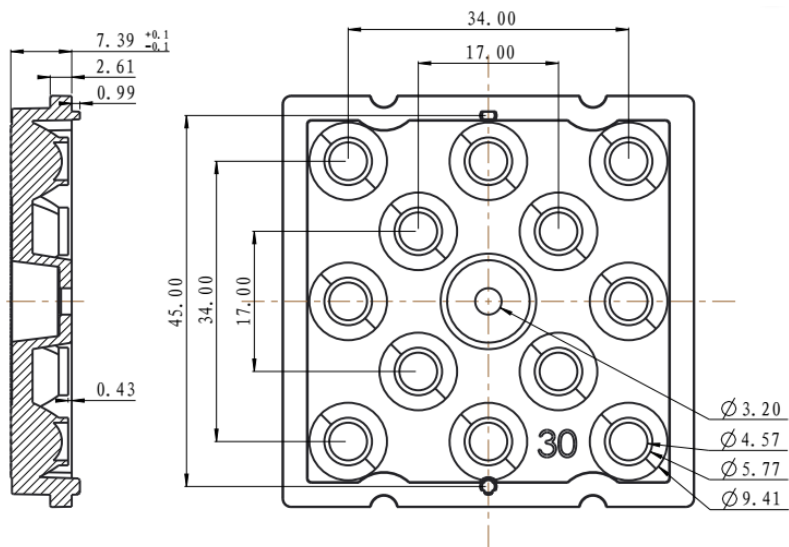
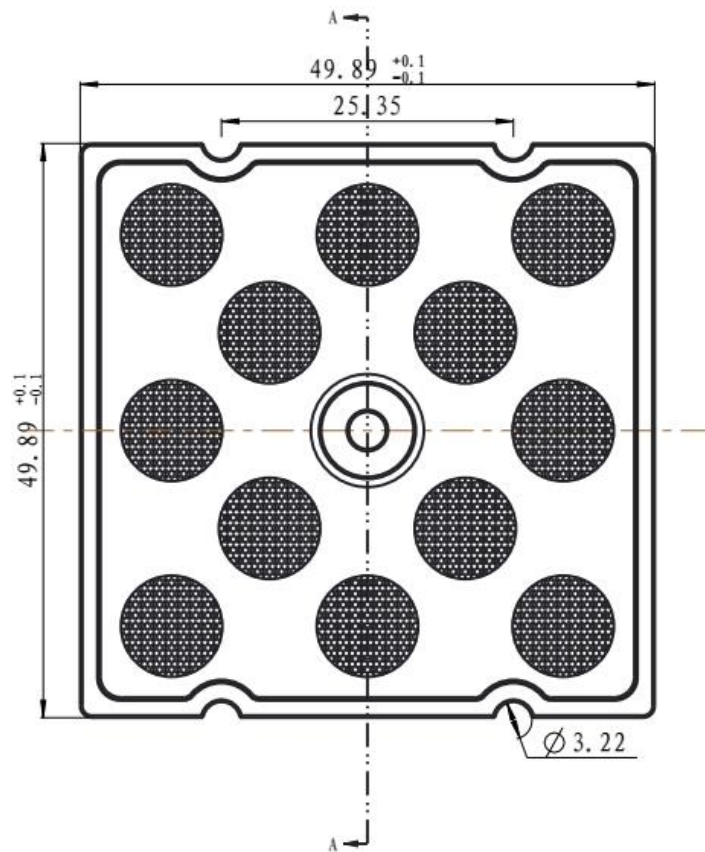
# Content

Specification-----	3
2D Drawing-----	4
Optical Datasheet-----	5
Packing-----	6
Application Notes-----	7

# Specification

Item No	Picture	Size	Matched LED	Lighting Application
DK-5050-30-LENS-12H1		Diameter: <b>49.89*49.89mm</b>  Height: <b>8.38mm</b>  FWHM: <b>23.8°</b>	<b>3030</b>	<b>Streetlight</b>  <b>High Bay Light</b>

# Drawing



截面 A-A

# Optical Test Report

## Luminaire Property

Luminaire Manufacturer:

Number of Lamps: 1

Luminous Length (mm): 0 mm

Luminous Height (mm): 0 mm

Lumens per Lamp: 209.1 lm

Luminous Width (mm): 0 mm

Power: 0.00 W

## Photometric Results

CIE Class: Direct

Measurement Flux: 209.1 lm

Downward Ratio: 99.99%

Horizontal Diffuse Angle(25%,50%,75%,100%): H37.6,H23.5,H14.6,H1

Vertical Diffuse Angle(25%,50%,75%,100%): V38.1,V24.2,V15,V1

Luminaire Efficacy Rating (LER): 209.12

Max. Intensity: 551.55 cd

S/MH(C0/C180): 0.40

Total Rated Lamp Lumens: 209.1 lm

Efficiency: 99.99%

Upward Ratio: 0.00%

Central Intensity: 548.38 cd

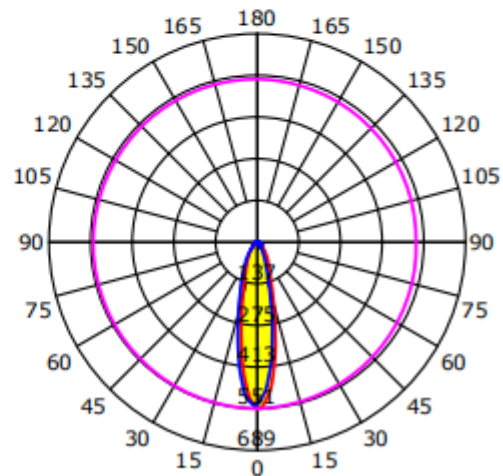
Pos of Max. Intensity: H0 V1

S/MH(C90/C270): 0.40

Picture Of Luminaire



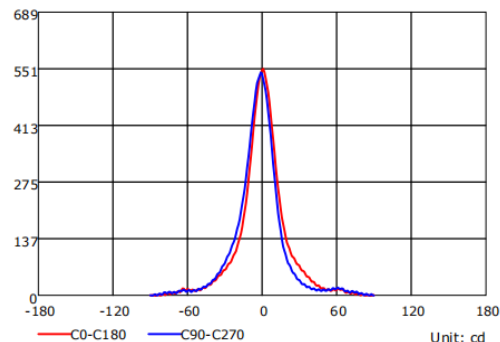
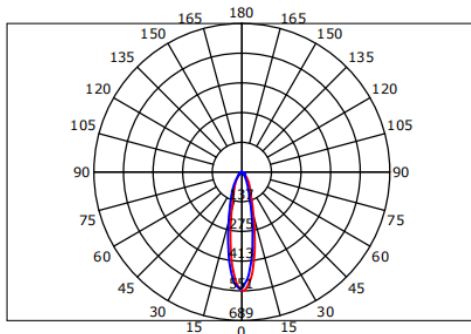
Luminous Intensity Distribution Curve



Unit: cd

Average Diffuse Angle(50%): 23.8°

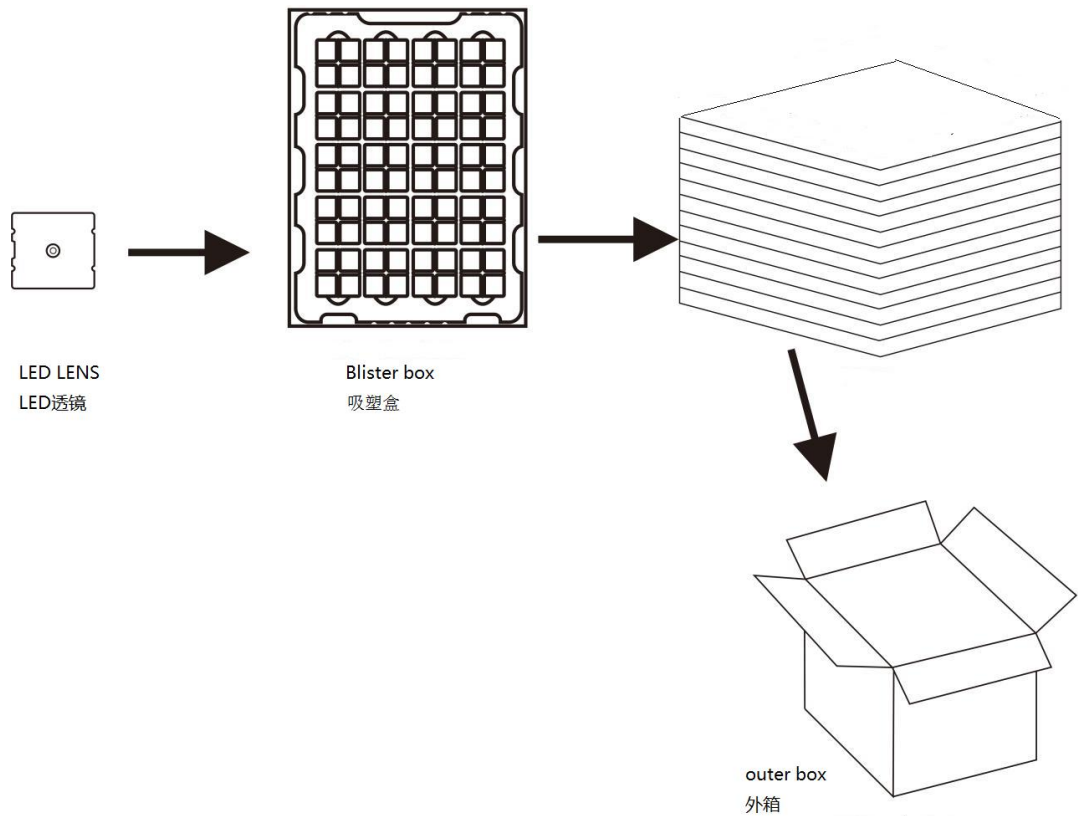
— C0-C180 — C90-C270 — G1



Unit: cd

# Packing

Material	Size	Total
Antistatic blister box	4W	20PCS a layer or deck
Box	335*245*105mm	240PCS/ Box
Outer Box	510*330*255mm	960pcs/ Outer Box



## Application Notes

(1) Please use a little water and soft fabric (air-laid paper) to clean the product if necessary.

(2) Forbid to use industrial solvent to clean the product, such as alcohol.

(3) The working temperature is  $-40^{\circ}\text{C}\sim+80^{\circ}\text{C}$ (PMMA) or  $-35^{\circ}\text{C}\sim+120^{\circ}\text{C}$ (PC).

(4) Storage environment temperature is  $0^{\circ}\text{C}\sim40^{\circ}\text{C}$ , humidity is 30%~95%.

(5) The product has the function to change the ray of light, it is made of optical material, the effect shall be influenced once pollute. Please do not open the packing before use it, to avoid the dust pollution.

(6) Protect the product from the sun and other ultraviolet ray, as these will lead to aging, change color, crack, etc.

(7) Please wear gloves once install the product, avoid to abrasion the product surface.

(8) Forbid to use acidic or alkaline solution touch the product, avoid to generate the chemical reactions.