

# Product Specification

Product Class: LED waterproof ring

Item No: **DK-173-12H1-135X55-FSQ**


Material: Silica Gel

Certification: RoHS

## Content

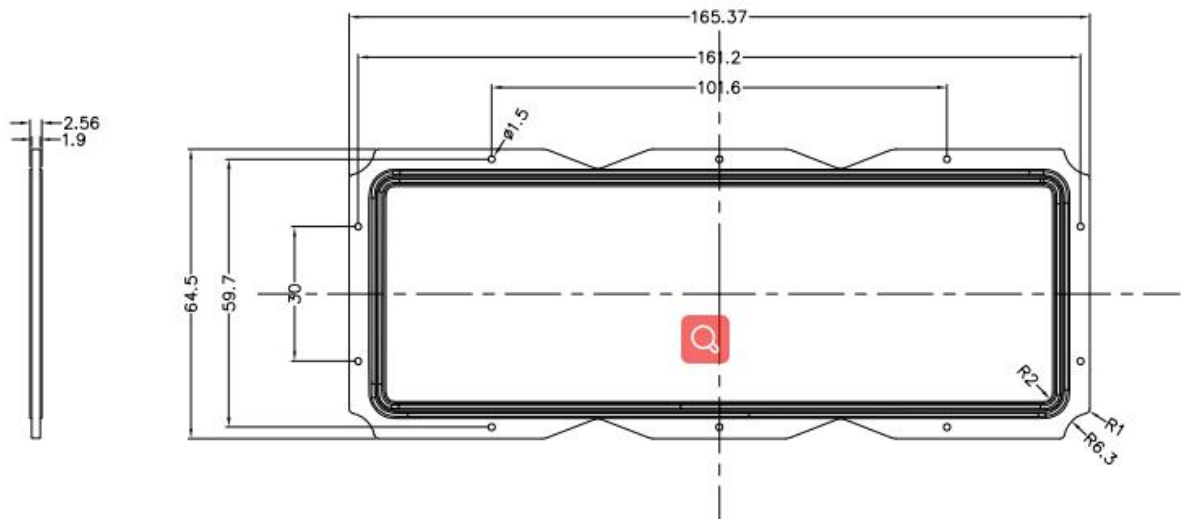
Specification-----	3
2D Drawing-----	4
Packing Details-----	5

## Specification

Item No	Picture	Size	Lighting Application
DK-173-12H1-135X55-FSQ		Diameter: 165.37*64.5MM Height:2.6MM	DK173-Series

\

## Drawing



## Application Notes

- (1) Please use a little water and soft fabric (air-laid paper) to clean the product.
- (2) Forbid to use industrial solvent to clean the lens, such as alcohol.
- (3) The working temperature is  $-45^{\circ}\text{C}\sim+200^{\circ}\text{C}$  .
- (4) Storage environment temperature is  $0^{\circ}\text{C}\sim40^{\circ}\text{C}$ , humidity is 30%~95%。
- (5) Optic Lens has the function to change the ray of light, it is made of optical material, the effect shall be influenced once pollute. Please do not open the packing before use it, to avoid the dust pollution.
- (6) Please ware gloves once install the lens, avoid to abrasion the lens surface.
- (7) Forbid to use acidic or alkaline solution touch the product, avoid to generate the chemical reactions.