

Product Specification

Product Class: LED LENS

Item No: **DK-15-10-LENS-H8.6-3535**

Material: PMMA

Certification: RoHS

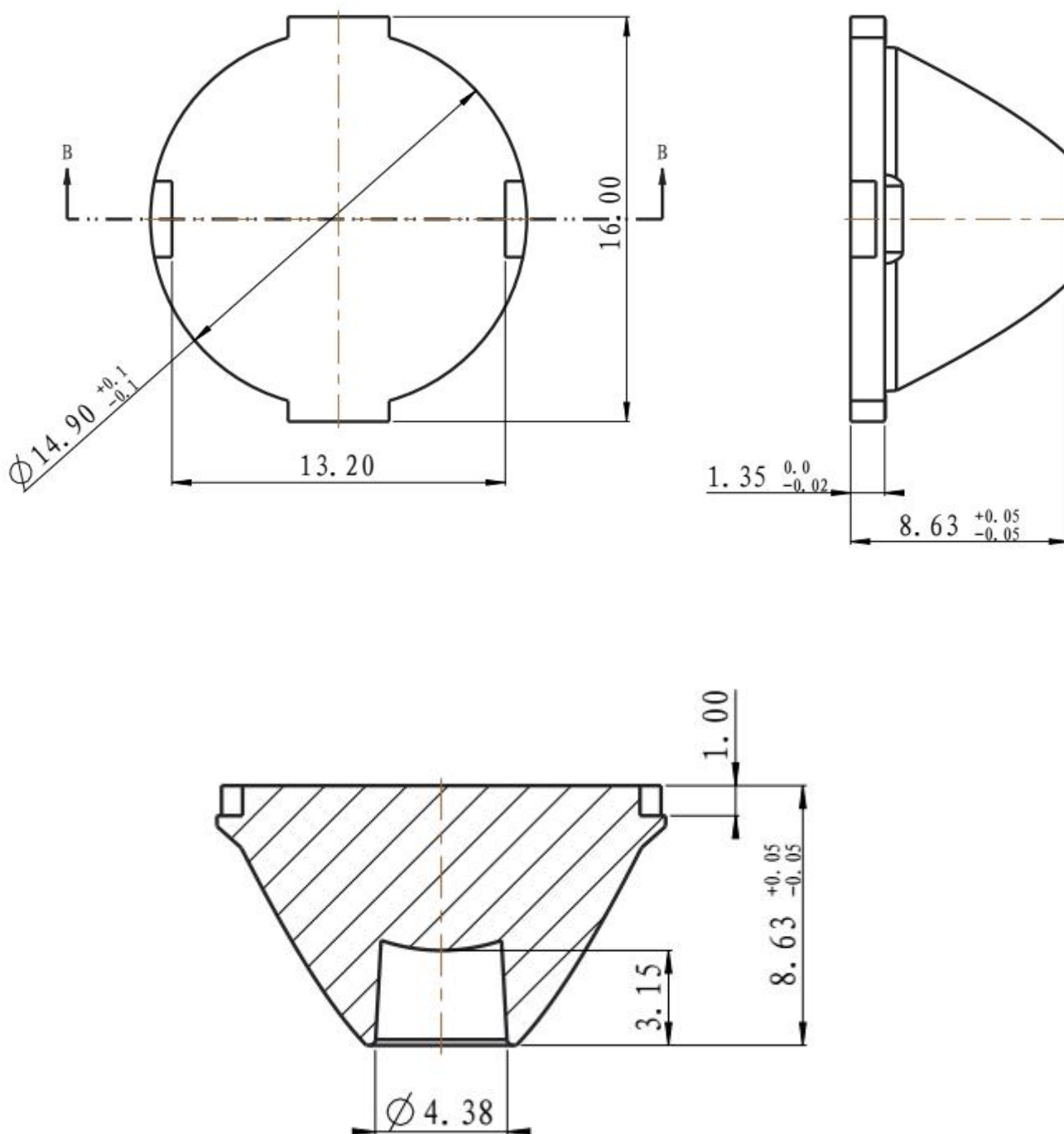
Content

Specification-----	3
2D Drawing-----	4
Optical Datasheet-----	5
Packing-----	6
Application Notes-----	7

Specification

Item No	Picture	Size	Matched LED	Lighting Application
DK-15-10-LENS-H8.6-3535		Diameter: Φ14.9mm Height:8.63mm FWHM:10°	3535	outdoor lamp grille lamp

Drawing



Optical Test Report

产品特征

灯具种类:
 电压: 0.0 V
 功率: 0.00 W
 电流: 0.000 A
 功率因数: 0.000

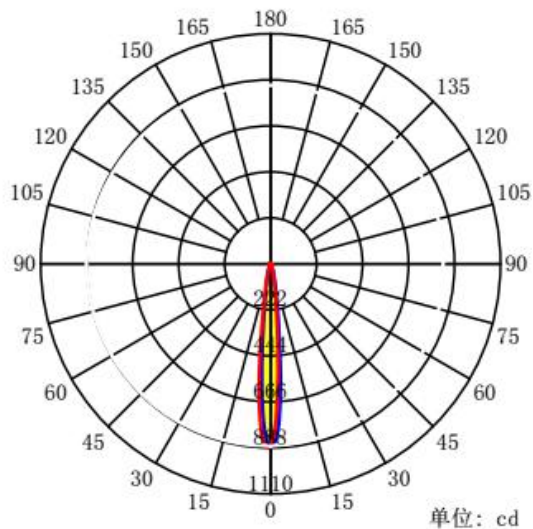
光度结果

灯具CIE分类: 直接型
 灯具光通量: 61 lm
 下射光通量比: 100%
 水平扩散角(25%, 50%, 75%, 100%): H16.7, H11.4, H7.7, H0
 垂直扩散角(25%, 50%, 75%, 100%): V16.6, V11.4, V7.7, V1
 灯具光效等级(LER): 61
 峰值光强: 889.61 cd
 额定光通量: 61.0 lm
 灯具效率: 100%
 上射光通量比: 0%
 中心光强: 882.63 cd
 峰值光强位置: H270 V1

灯具实物照片



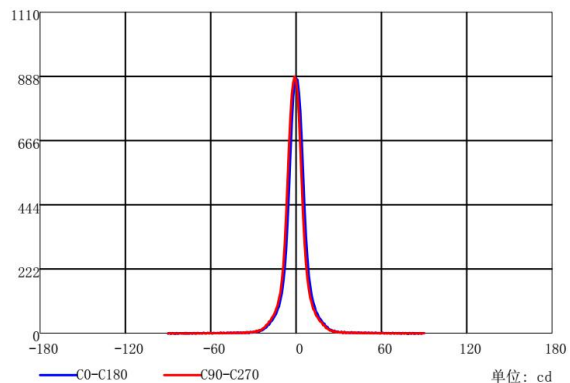
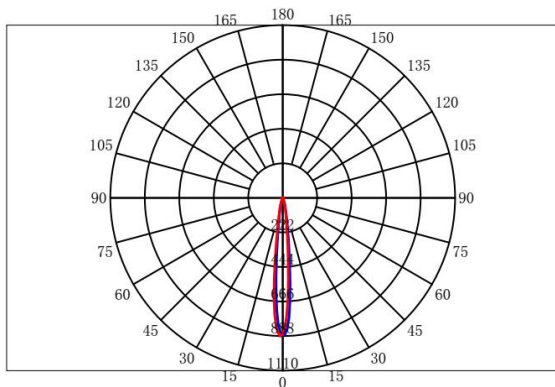
配光曲线



平均光束角(50%): 11.4°

— C0-C180 — C90-C270 G1

配光曲线



Packing

Material	Size	Total
Antistatic blister box	DK-15-H86-LENS	130PCS /Layer or deck
Box	335*245*105mm	1300PCS/ Box
Outer Box	510*330*255mm	5200PCS/ Outer Box



Application Notes

- (1) Please use a little water and soft fabric (air-laid paper) to clean the product if necessary.
- (2) Forbid to use industrial solvent to clean the product, such as alcohol.
- (3) The working temperature is $-40^{\circ}\text{C}\sim+80^{\circ}\text{C}$.
- (4) Storage environment temperature is $0^{\circ}\text{C}\sim40^{\circ}\text{C}$, humidity is 30%~95%.
- (5) The product has the function to change the ray of light, it is made of optical material, the effect shall be influenced once pollute. Please do not open the packing before use it, to avoid the dust pollution.
- (6) Protect the product from the sun and other ultraviolet ray, as these will lead to aging, change color, crack, etc.
- (7) Please wear gloves once install the product, avoid to abrasion the product surface.
- (8) Forbid to use acidic or alkaline solution touch the product, avoid to generate the chemical reactions.